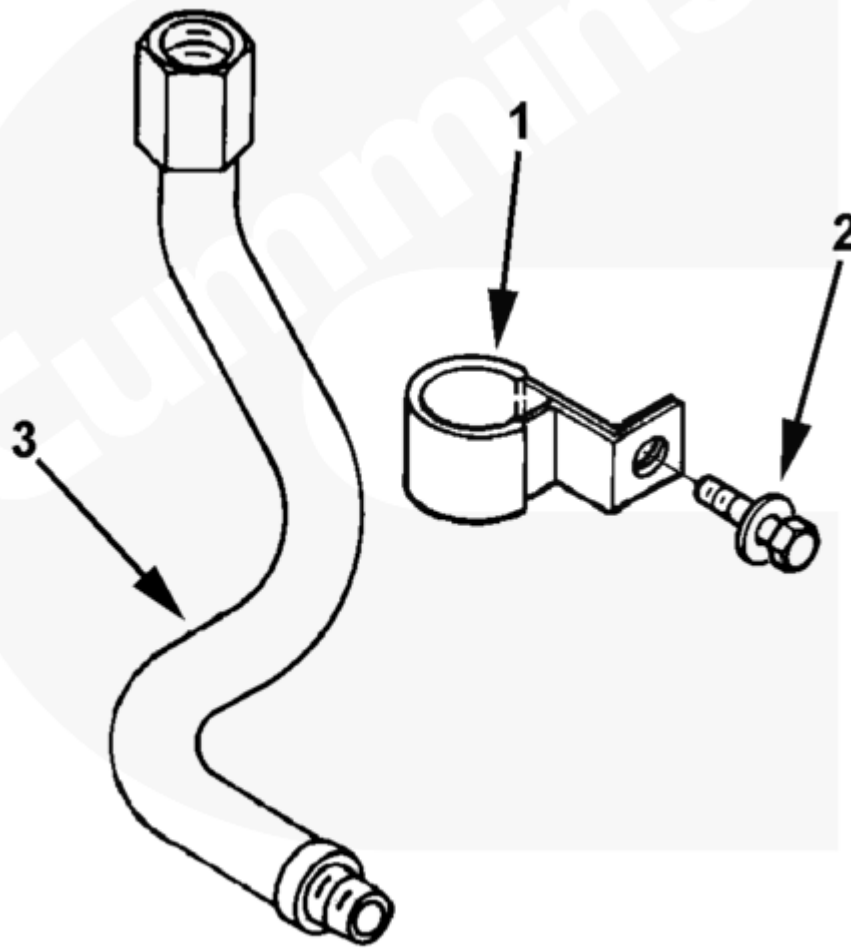




Parts Catalog - Option Detail

Electronic Parts Catalog - Option Detail				
Option	Group	Graphic	Film Card	Date
RP2710	08.13.1	rp200gd	II	20-NOV-00
Engines	ISM CM570, ISM CM570/870, ISM CM875, ISM CM876, ISM CM876 E, ISM11 CM876 M103, ISM11 CM876 SN, M11 CELECT, M11 CELECT PLUS, M11 MECHANICAL, QSM11 CM570, QSM11 CM876			

©Cummins Inc



rp200gd

SMALL | MEDIUM | LARGE

Cart	Ref No	Part Number	Part Description	Required	Remarks
View My Cart					
		RP2710	Radiator Plumbing		
					Radiator Plumbing

					Engine Aspiration: Charged
					Air Cooled
					Front Lifting Brkt Mtg Loc:
					Intake Manifold
					Grid Heater Mtg Provision:
					No
					Intake Manif/Aftrclr Mtg
					Flange Thickness: 45mm
					(1.77")
<input type="checkbox"/>	1	3073750	Clip	1	
<input type="checkbox"/>	2	4070453	Captive Washer Cap Screw	1	M10 x 1.50 x 72
<input type="checkbox"/>	3	3883780	Flexible Hose	1	

© 2019 Cummins Inc., Box 3005, Columbus, IN 47202-3005 U.S.A.
Terms of Use and Disclaimers | Recommended System Requirements
Need Assistance? Please click on the Contact Us button in the top right corner of any page.